

Product Information Truma LevelControl



March 2017

Making life easier:
determining gas levels precisely and
conveniently with our useful App

Truma LevelControl uses ultrasound to measure how much gas there is in the cylinder. Using Bluetooth, the device sends the data to the Truma iNet Box and this sends it to your customer's tablet or smartphone. With the Truma App, you have an overview of your gas level and how long this gas will last. Customers simply integrate the LevelControl into their existing iNet system as the perfect enhancement.

Advantages

- **Exact:** Precisely measures the fill level of your cylinder as a percentage and in kg and also indicates how long the remaining gas will last
- **Convenient:** Easy to use and convenient to operate with the Truma App
- **Practical:** Simply position it under the cylinder with the integrated magnets and remove it when you change the cylinder
- **Universal:** Works with all common European steel and aluminium gas cylinders

Start-up

Only a few steps are required for your customers to start using the Truma LevelControl:

1. Load the free Truma App on to a smartphone or tablet
2. Follow the instructions from the set-up wizard to connect the mobile device and then the LevelControl with the iNet Box.
3. Select your country and cylinder type from our database or define your own cylinder. The sensor then configures itself individually to this gas cylinder.
4. Attach the Truma LevelControl to the middle of the steel cylinder base with the coupling pad (1). We also provide a clamping sheet to attach the device beneath aluminium cylinders.

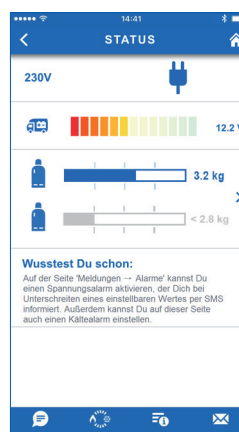
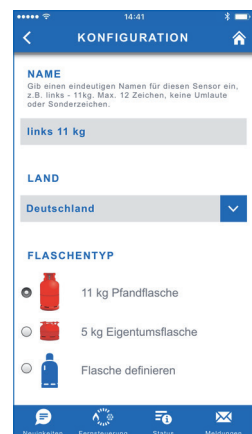
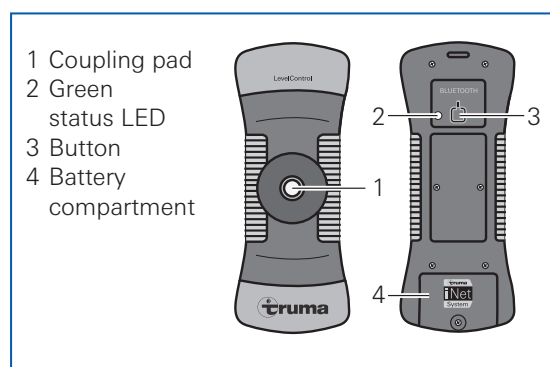
The installation and operating instructions provided with the device must be followed.

Operation

Your customers can now check their gas supply conveniently via the Truma App. This can be done while travelling in the vehicle or when near the vehicle via Bluetooth and SMS – more accurately than ever before:

- Fill level in %
- Gas quantity in kg
- Remaining time in days
- LevelControl battery charge level
- SMS alarm when only a little gas remains in the cylinder

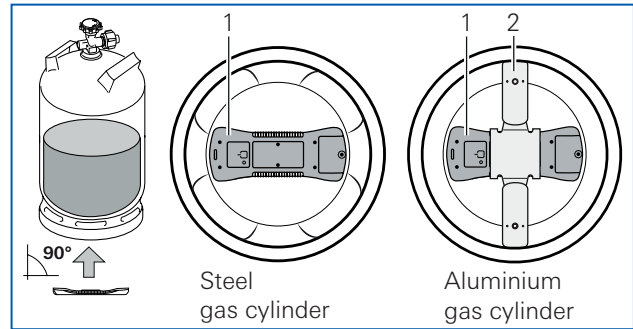
If your customers have two gas cylinders in their vehicle, they can use two Truma LevelControls parallel to each other. The Truma App then shows the fill level of cylinders 1 and 2.



Requirements

What your customers need to measure the fill level:

- Truma LevelControl (1)
- Steel or aluminium gas cylinder.
An additional clamping sheet (2) is required for aluminium cylinders
- Truma App on smartphone or tablet with latest operating system (iOS/Android)
- Truma iNet Box



Technical data

Power supply

3 V DC / 2 x 1.5 V batteries (alkaline, LR03, AAA)

Power consumption

max. 70 mA

Quiescent current consumption

0,001 mA

Weight (with battery)

120 g

Interfaces

Bluetooth (Class 2)

Operating temperature

-20 °C to +50 °C.

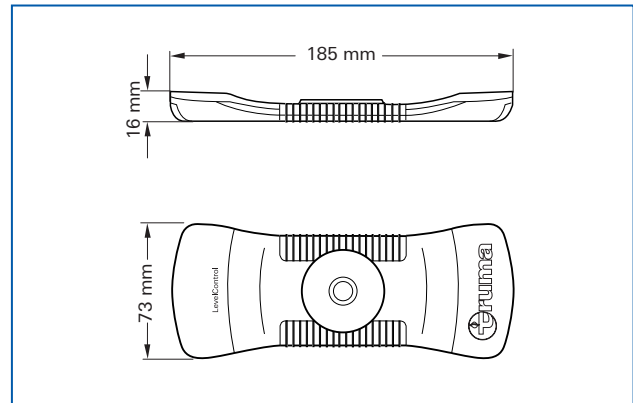
Gas cylinders

All common European steel and aluminium gas cylinders

Type of gas

Liquid gas (propane / butane)

Dimensions



Part numbers

Single pack	Description
50700-01	Truma LevelControl
50900-01	Clamping sheet kit for aluminium gas cylinders
36400-01	Truma iNet Box

Deadlines

Market launch July 2017

The right to effect technical modifications is reserved!

Truma Gerätetechnik GmbH & Co. KG
Wernher-von-Braun-Straße 12
85640 Putzbrunn, Germany
Telefon +49 (0)89 4617-0
info@truma.com

Service
Telefon +49 (0)89 4617-2142
Telefax +49 (0)89 4617-2159
service@truma.com
www.truma.com

**truma**
More comfort on the move