

# Product information

## Gas pressure regulator and gas filters

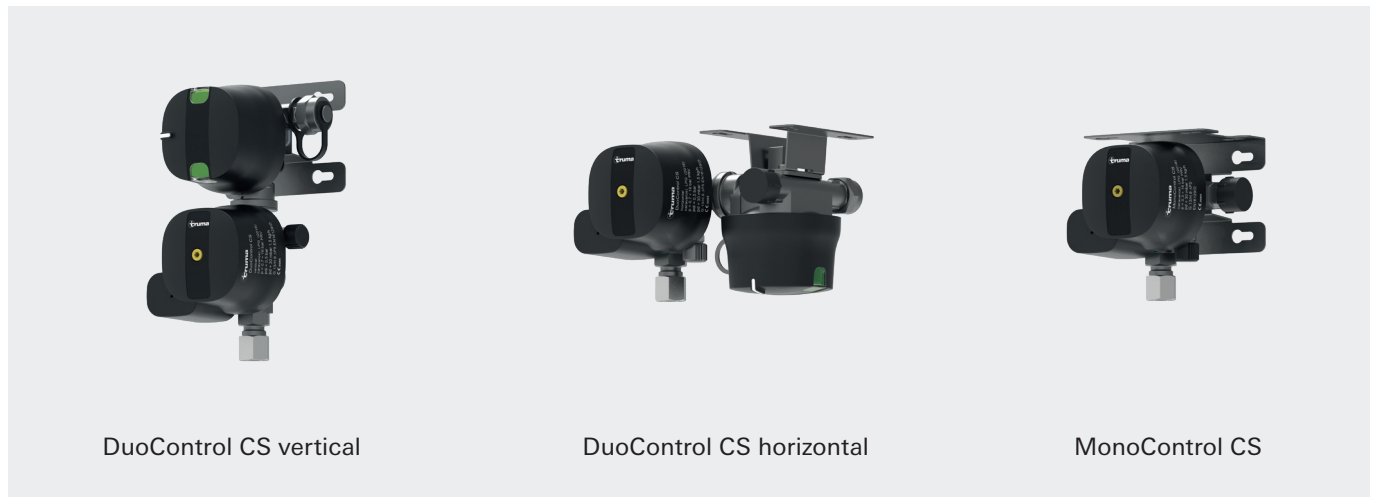
February 2021



# Truma gas pressure regulators

## DuoControl CS, MonoControl CS

Truma gas pressure regulators stand out as they are particularly compact and light. In a modern black design, the integrated button for the crash sensor is instantly recognizable. Perfectly tailored accessories are the ideal complement to Truma gas supply. We provide a 5-year manufacturer warranty for exclusive use of Truma gas pressure regulators, gas filters and HP hoses.



DuoControl CS vertical

DuoControl CS horizontal

MonoControl CS

### DuoControl CS vertical and horizontal

- **Compact:** A 40% reduction in construction volume gives you more scope for design.
- **Convenient:** Clear status display of the operating cylinder (empty/full).
- **Light:** Lightweight.
- **Easy to operate:** The status of the operating cylinder (empty/full) can be seen on the display; automatic changeover from the empty gas cylinder to the full one.

### MonoControl CS

- **Compact:** A 35% reduction in construction volume gives you more scope for design.
- **Practical:** One single variant simplifies handling.
- **Light:** 40% less weight than the previous model.
- **User-friendly:** If the crash sensor is triggered, this can be seen on the yellow button; simply press the reset button to reset the device.

### Variants

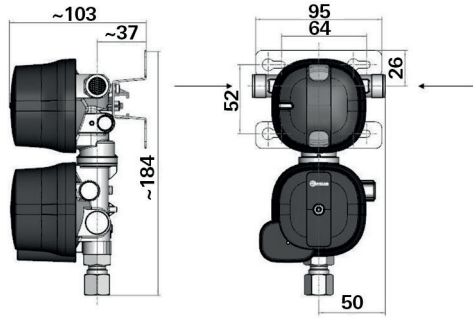
DuoControl CS vertical

DuoControl CS horizontal

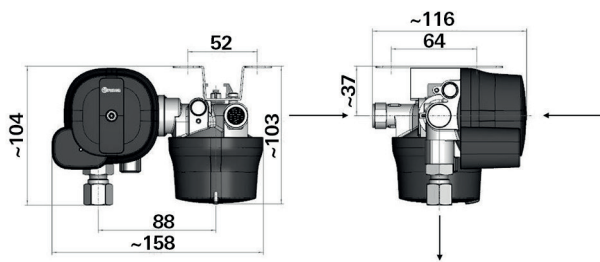
#### Note:

Truma does not provide a warranty for defective gas pressure regulators, which were used without gas filters.

### Dimensions



DuoControl CS vertical



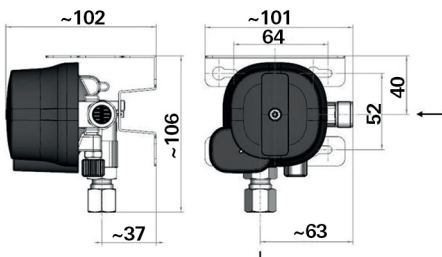
DuoControl CS horizontal

### Technical data

#### DuoControl CS vertical and horizontal,

<b>Gas type:</b>	LP gas (propane / butane)
<b>Admission pressure:</b>	0.7 - 16 bar
<b>Output pressure:</b>	30 mbar
<b>Regulator output:</b>	1.5 kg/h
<b>Regulator inlet:</b>	Male thread M20 x 1.5 (G.13)
<b>Regulator outlet:</b>	Olive screw connection 10 mm or 8 mm (H.9)
<b>Horizontal triggering value:</b>	4.0 g ± 1.0 g
<b>Weight:</b>	900 g

### Dimensions



MonoControl CS

### Technical data

#### MonoControl CS

<b>Gas type:</b>	LP gas (propane / butane)
<b>Admission pressure:</b>	0.3 - 16 bar
<b>Output pressure:</b>	30 mbar
<b>Regulator output:</b>	1.5 kg/h
<b>Regulator inlet:</b>	Male thread M20 x 1.5 (G.13)
<b>Regulator outlet:</b>	Olive screw connection 10 mm or 8 mm (H.9)
<b>Horizontal triggering value:</b>	4.0 g ± 1.0 g
<b>Weight:</b>	500 g

All dimensions in mm

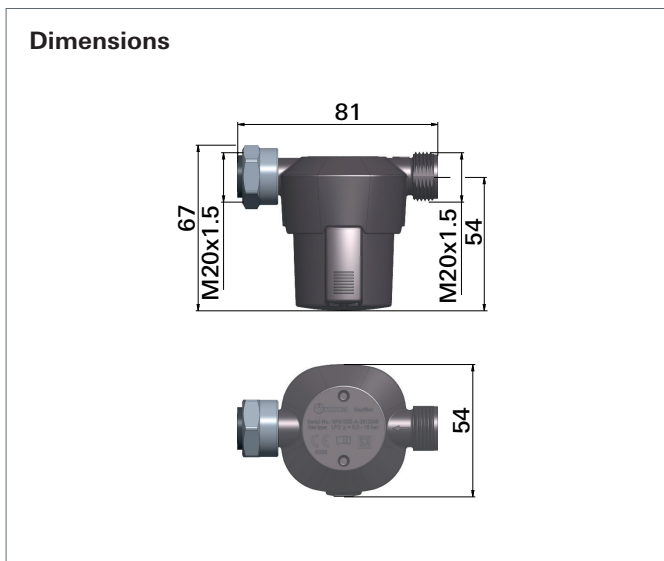
# Truma gas filter

The Truma gas filter effectively protects your gas system from contamination: Oily residue is reliably filtered from the gas flow. This is filtered onto a filter pad at the bottom of the filter bowl, which can be easily changed when replacing gas cylinders. Compared to a gas filter with cartridge, purchasing a new gas filter with pads pays for itself after two years\*. Replacement pads are much cheaper than replacing filter cartridges



## Truma gas filter

- **Compact:** Because of its low installation height, it fits in almost every gas cylinder box.
- **Effective:** Filters up to 99.9% of aerosols and protects the gas system and all gas appliances.
- **Simple:** Easy to retrofit.



All dimensions in mm

## Technical specifications

**Gas type:** LPG (propane / butane)~

**Inlet:** male thread M20 x 1.5(G.13)

**Outlet:** union nut M20 x 1.5 (H.20)

**Weight (incl. filter pad):** 370 g

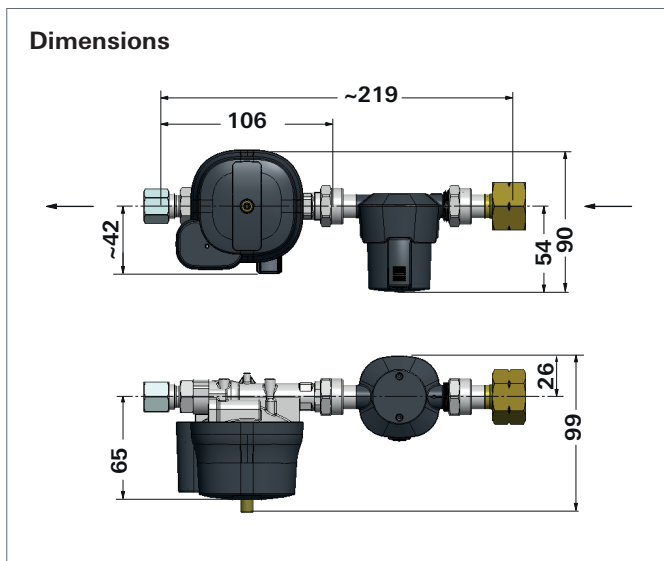
# Truma gas tank regulator MonoControl CS T kit

The gas tank regulator is mounted directly on the extraction valve of the gas tank. It is characterized by a particularly compact and lightweight design and is offered as a kit with the Truma gas filter. Due to its variable positioning, it can always be adapted to a correct installation position, meaning that only one variant is required.



## MonoControl CS T kit

- **Compact:** Gas tank regulator including gas filter saves installation space.
- **Effective:** Filters up to 99.9% of aerosols and protects the gas system and all gas appliances.
- **Practical:** One single variant simplifies handling.



All dimensions in mm

## Technical specifications

**Gas type:** LPG (propane / butane)

**Inlet pressure:** 0.3 to 16 bar

**Outlet pressure:** 30 mbar

**Regulator output:** 1.5 kg/h

**Regulator inlet:** Union nut W 21.8 x 1/14" LH (G.5)

**Regulator outlet:** Olive screw connection 10 mm (H.9)

**Triggering value horizontal:** 4.0 g ± 1.0 g

**Weight:** 900 g

# Truma high-pressure hoses with hose rupture protection

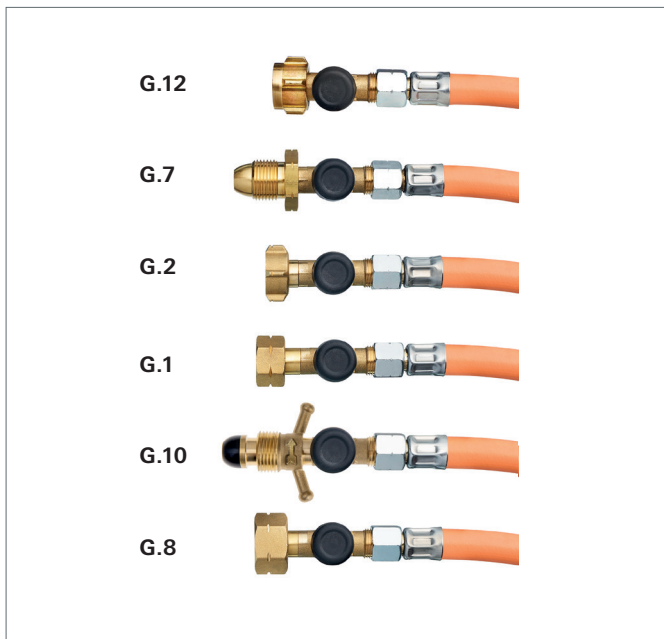
## For maximum safety on the road and when stationary:

They meet all legal requirements for operating the gas system while driving. If the hose is damaged, the hose rupture protection trips and stops the flow of gas.



## HP hoses with hose rupture protection

- **Variable:** Six different types are available – for reliable use throughout Europe.
- **Versatile:** Hoses are available in the lengths 450 and 750 mm (with pull-out devices).



## Most common gas cylinder-connection in the countries:

		450 mm	750 mm
		Part No.	Part No.
<b>G.12</b>	DE, AT, FI, PL	50415-01	50425-01
<b>G.7</b>	GB, IE	50415-02	50425-02
<b>G.2</b>	CH, FR	50415-03	50425-03
<b>G.1</b>	IT, MT, CY, GR, TR	50415-04	50425-04
<b>G.10</b>	SE, NO, IS, PT	50415-05	50425-05
<b>G.8</b>	GB, IE, ES, BE, NL, DK, NO, HR, CZ, SI, SK, HU	50415-06	50425-06

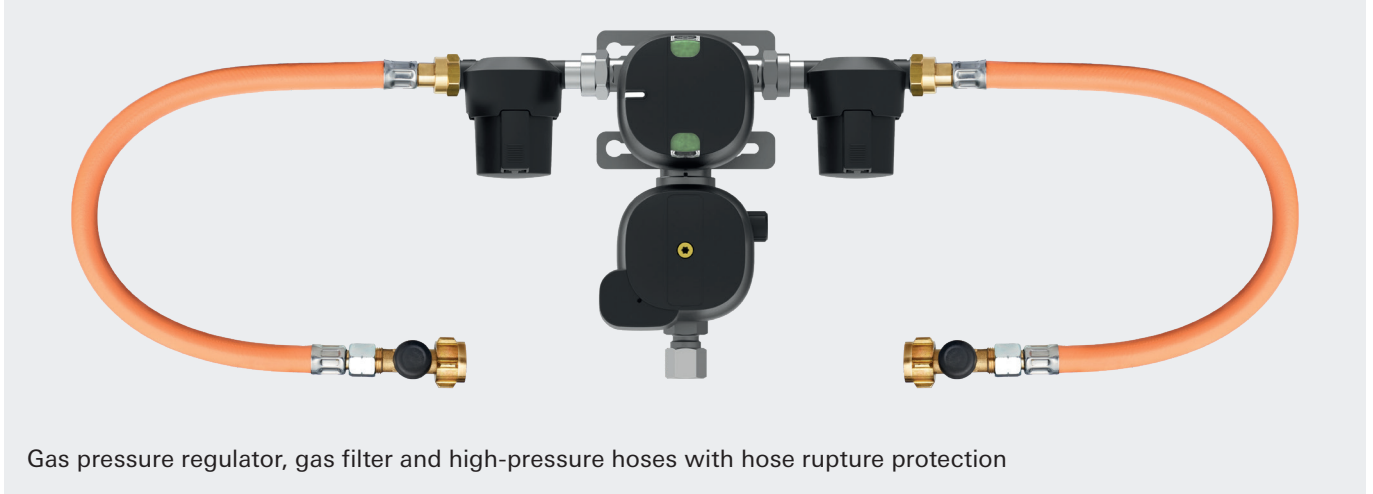
# Part numbers

Product	Part No.	Description
	51611-01	<b>DuoControl CS vertical</b> Gas pressure regulator with crash sensor and changeover regulator for two gas cylinders, wall installation
	51621-01	<b>DuoControl CS horizontal</b> Gas pressure regulator with crash sensor and changeover regulator for two gas cylinders, ceiling installation
	52412-01	<b>MonoControl CS</b> Gas pressure regulator with crash sensor for one gas cylinder, wall or ceiling installation
	52412-05	<b>MonoControl CS T kit</b>
	50603-01	<b>Gas filter</b> incl. filter pad
	50603-02	<b>Gas filter kit, 2 pcs.</b> incl. filter pads
	50681-01	<b>Filter pads, 10 pcs.,</b> for gas filter
	50020-00379	<b>Angle bracket gas filter</b>
	50212-01	<b>Remote indicator DuoC</b> incl. control panel
	50212-03	<b>Remote indicator DuoC without control panel</b>
	50020-00586	<b>Plug-fit, remote indicator DuoC transmitter</b>
	50810-01	<b>MonoControl CS vertical adapter 10 pcs.</b>
	50810-02	<b>MonoControl CS horizontal adapter 10 pcs.</b>
	50810-03	<b>DuoControl CS horizontal adapter 10 pcs.</b>
	50850-01	<b>Regulator/filter adapter plate 10 pcs.</b>

The part numbers for other accessories for gas installation and EisEx can be found in the current dealer catalog and in Truma Parts in the dealer login at [www.truma.com](http://www.truma.com).

# Truma 5-year manufacturer warranty

Truma provides all the components you need for a safe gas supply. A gas system comprises three components, the gas pressure regulator, gas filter and high-pressure hoses with hose rupture protection. The requirement for the warranty is that all three components are installed and operated together and properly maintained. The detailed warranty conditions can be found at [www.truma.com/regulatorwarranty](http://www.truma.com/regulatorwarranty) or simply via the QR code.



For everyone who chooses Truma –  
valid only when used with our  
regulators, filters and hoses.  
Register now at  
[www.truma.com/regulatorwarranty](http://www.truma.com/regulatorwarranty)



Truma Gerätetechnik GmbH & Co. KG  
Wernher-von-Braun-Straße 12  
85640 Putzbrunn  
Germany  
Telefon +49 (0)89 4617-2020  
[customer care@truma.com](mailto:customer care@truma.com)

The right to effect technical modifications is reserved!

[www.truma.com](http://www.truma.com)

  
More comfort on the move