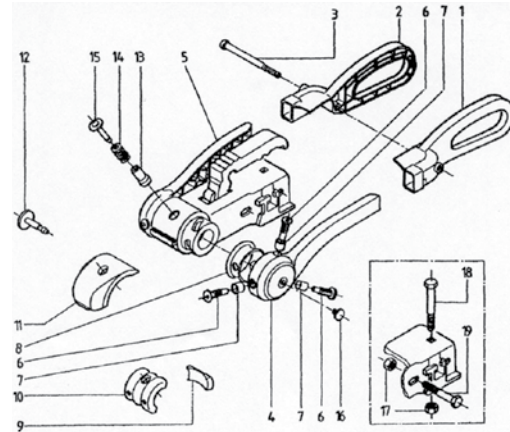


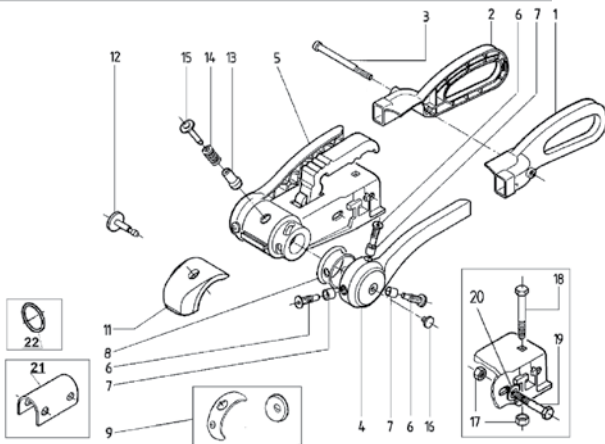
AKS 2004 Stabiliser

REF	DESCRIPTION	GROVE PT NO	AL-KO PT NO
1	LEFT HANDLE	007730	690243
2	RIGHT HANDLE	007731	690244
3	CYLINDER BOLT		690246
4	LEFT ARM (METAL)	007733	690241
5	RIGHT ARM (METAL)	007734	690242
6	BEARING BOLT	007717	372284
7	BEARING	007736	380307
8	SEAL	007737	372166
9	FRICITION PAD KIT (FRONT REAR)		690252
10	FRICITION PAD KIT	007935	1212126
11	SOFT DOCK RUBBER		690251
12	FRICITION PAD LEFT / RIGHT	008005 X 2	287763
13	INNER INDICATOR BUTTON	007722	372288
14	SPRING	007721	372285
15	OUTER INDICATOR BUTTON	007720	372287
16	CAP		583885
17	HEXAGON NUT M12 -10 A3C	007738	371932
18	BOLT M12 X 75	007739	603392
19	BOLT M12 X 75	007740	704439



AKS 3004 Stabiliser

REF	DESCRIPTION	GROVE PT NO	AL-KO PT NO
1	LEFT HANDLE	007730	690243
2	RIGHT HANDLE	007731	690244
3	CYLINDER BOLT		690246
4	LEFT ARM	007733	690241
5	RIGHT ARM	007734	690242
6	BEARING BOLT	007717	372284
7	BEARING	007736	380307
8	SEAL	007737	372166
9	FRICITION PAD KIT (INCLUDES FRONT/REAR)	007936	691418
11	SOFT DOCK RUBBER		691241
12	FRICITION PAD KIT (INCLUDES 2 X PADS & 2 X CAP) (ITEM16)	008005	287763
13	INDICATION BUTTON KIT (COMPRISES ITEM 13, 14 & 15)	007719	286799
16	CAP		583885
17	HEX NUT M12 -10A3C X 2	007738	371932
18	BOLT M12 X 75MM	007739	603392
19	BOLT M12 X 75MM - 10.9	007741	692034
20	WASHER A13 DIN 125 A3C		700140
21	DISTANCE ADAPTER		690841
22	SPRING RING		2072400208
	FIXING KIT	007743	1336334

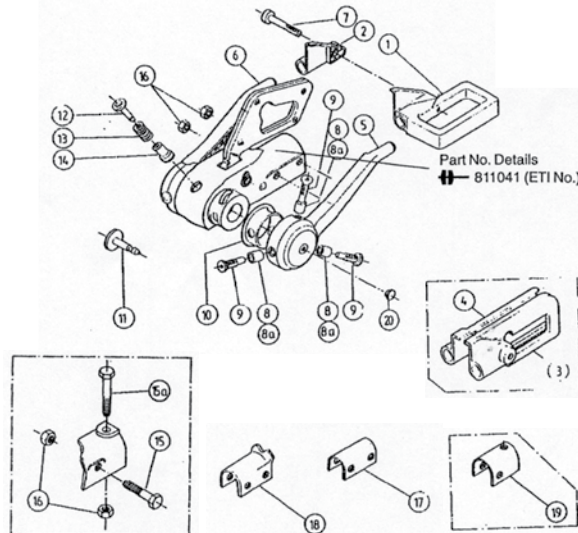


AKS 2004 / 3004

Handle complete 007937	Left handle only 007730	Right handle only 007731	Left arm 007733	Right arm 007734	Bearing bolt 007717	Bearing 007736	Seal 007737	Hexagon nut M12-10 A3C 007738	Bolt M12 x 75 007739
Friction pad kit front/rear 2004 007935 3004 007936	Friction pad kit side 008005	Indicator button kit 3004 only 007719	Bolt M12 x 75 2004 only 007740	Bolt M12 x 75 - 10.9 3004 only 007741	Fixing kit 3004 007743	Gaiter 007735			

AKS 2000/2500/2700 Stabiliser

REF	DESCRIPTION	GROVE PT NO	AL-KO	PT NO
1	HANDLE LH	TYPE A	007708	372161
2	HANDLE RH	TYPE A	007709	372162
3	HANDLE LH	TYPE B	007710	581158
4	HANDLE RH	TYPE B	007711	581159
5	ARM LH		007712	573912
6	ARM RH		007713	573913
7	ALLEN HEAD BOLT M8X75			373547
8	BEARING		007736	380307
8A	BEARING			702365
9	BOLT M10X20.8		007717	372284
10	SEAL		007737	372166
11	FRICITION PAD TYPE A		008005	287763
12	INDICATOR BUTTON (OUTER)		007720	372287
13	SPRING		007721	372285
14	INDICATOR BUTTON (INNER)		007722	372288
15	HEXAGON BOLT M12X80 10.9			703556
15A	HEXAGON BOLT M12X75 10.9 TYPE B			703334
16	NUT M12			701966
17	PACKING PIECE 40MM TYPE A		007726	372936
18	PACKING PIECE 35MM TYPE A		007727	372937
19	PACKING PIECE 45MM TYPE B		007728	372462
20	CAP			583885
	FIXING KIT (NOT FOR 2004/3004)		007725	648936



AKS 2000/2500/2700



Handle LH type A **007708**



Handle RH type A **007709**



Handle LH type B **007710**
Handle RH type B **007711**



Arm LH **007712**
Arm RH **007713**



Bolt M10x20.8 **007717**



Indicator button Outer **007720**



Spring **007721**



Indicator button Inner **007722**



Packing piece 40mm type A **007726**



Packing piece 35mm type A **007727**



Packing piece 45mm type B **007728**



Fixing kit (not for 2004/3004) **007725**



Bearing **007736**



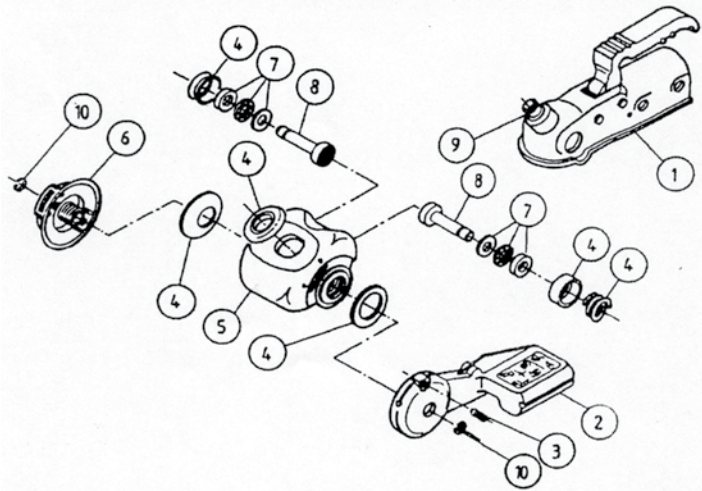
Seal **007737**



Friction pad kit to 93 (2000 series) **008004**

AKS 1300 Stabiliser Unit

REF	DESCRIPTION	GROVE PT NO	AL-KO PT NO
1	COUPLING HEAD WITH SAFETY INDICATOR BUTTON (ITEM 9)		614357
2	STABILISER OPERATING LEVER	007700	603379
3	RETAINING SCREW	007701	603153
4	SEAL KIT (5 PIECES & 1 SPRING)	007702	246340
5	STABILISER HEAD		614269
6	RATCHET HAND WHEEL	007704	614358
7	BEARING SET	007705	246338
8	FRICTION PAD KIT (KIT COMPRISES 2 FRICTION PADS & 4 SPLIT RINGS)	007957	638057
9	SAFETY INDICATOR BUTTON KIT		246341
10	PAIR OF SPLIT RINGS (PLUS TWO SPARES), ALSO FOR ITEM 8 FIXING KIT	007707	246337
		007703	622175



AKS 1300



Operating lever **007700**



Retaining screw **007701**



Seal kit **007702**



Ratchet hand wheel **007704**



Bearing set **007705**



Split rings **007707**



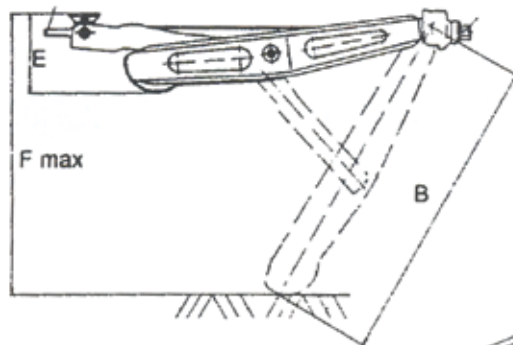
Friction pad kit **007957**



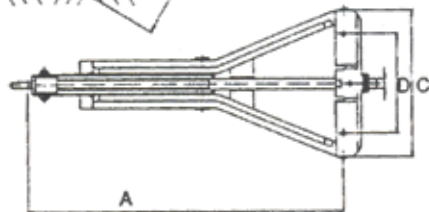
Fixing kit **007703**

Corner steadies

DESCRIPTION	GROVE PT NO	AL-KO PT NO
CORNER SYSTEM STEADY	007432	205808
CORNER STEADY SCREW 585 X 20MM		355200
CORNER STEADY NUT 20MM	007429	355198
COLLAR		355203
ROLL PIN 5MM		701631
CORNER STEADY SCREW 680 X 20MM FITS 517779	007431	355815
CORNER STEADY NUT 16MM	007428	371580
ROLL PIN 4MM		700189
ROLL PIN 5MM		700631
CORNER STEADY COMPLETE	007433	205817
CORNER STEADY NUT 20MM	007429	355198
COLLAR		355203
ROLL PIN 5MM		701631
CORNER STEADY SYSTEM	007435	1221694



DIMENSIONS								
A	B	C	D	E	WEIGHT(KG)	F AT 60° ANGLE	GROVE PT. NO.	AL-KO PT NO
505MM	470MM	260MM	190MM	100MM	3.4	470	007432	205.808
605MM	510MM	260MM	190MM	100MM	3.6	500	007433	205.817
505MM	495MM	280MM	190MM	100MM	4.8	470	007434	205.821
							007435	1221694



Corner steady screw 680 x 20mm **007431**



Corner steady nut 20mm **007429**
16mm **007428**

Miscellaneous



Fixing kit for 2000 security device **007724**

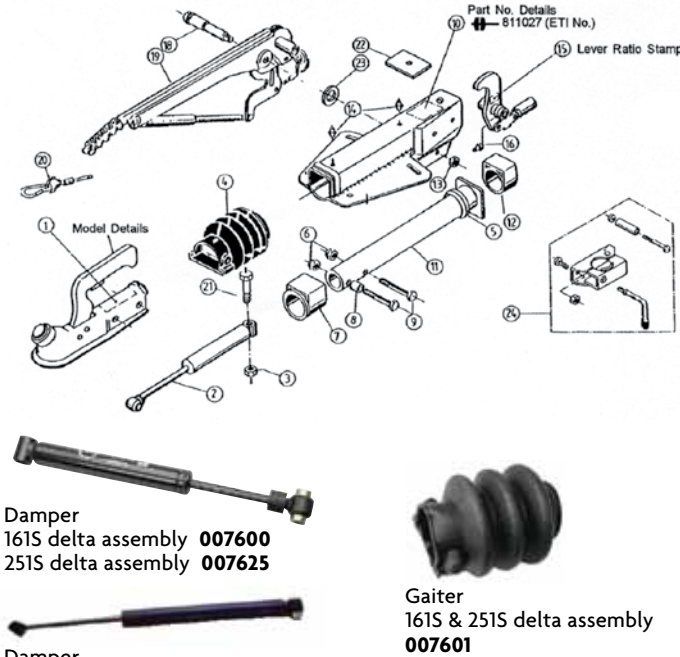


Fixing kit for 1300 security device **007706**



AKS security barrel/keys **007723**

161S Delta Overrun Assembly with Gas Strut Handbrake



Damper
161S delta assembly **007600**
251S delta assembly **007625**



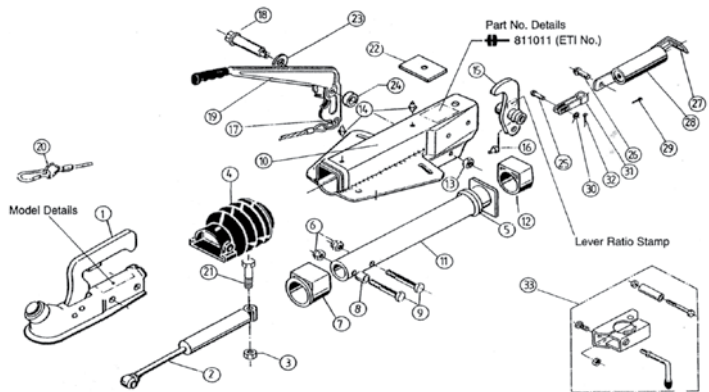
Gaiter
161S & 251S delta assembly **007601**

Damper
90S/3 delta assembly **007630**

REF	DESCRIPTION	GROVE PT NO	AL-KO PT NO
1	COUPLING HEAD (50MM)		QUOTE MODEL DETAILS
2	DAMPER	007600	370556
3	HEXAGON NUT M12 DIN 985 - 10 A3C		702750
4	GAITER	007601	366356
4A	GAITER FOR AK 350	007735	607133
5	BUMP RUBBER		371372
6	HEXAGON NUT M12 DIN 985 - 10 A3C		702750
7	FRONT BEARING BUSH (NOT REAMED)	007606	1210131
8	SPACER		370559
9	HEXAGON BOLT M12 X 70 FOR AK 160 M12 X 75 FOR AK 300 M12 X 90 FOR AK 350		700061 701959 702823
10	HOUSING COMPLETE WITH BEARINGS		QUOTE PART NO. & ETI NO.
11	OVERRUN SHAFT		571873
12	REAR BEARING BUSH (NOT REAMED)	007606	121031
13	HEXAGON NUT M12 DIN 985 - 10 A3C		702750
14	GREASE NIPPLE AM 8 X	007608	1 2171710001
15	OVERRUN LEVER- LEVER STAMPED 27 LEVER STAMPED 30		380265 380285
16	GREASE NIPPLE AM 6 (INCLUDED IN ITEM 15)		700203
18	HANDBRAKE PIVOT BOLT	007622	581145
19	HANDBRAKE ASSY (INCLUDES BREAKAWAY CABLE ITEM 20)	007623	220096
20	BREAKAWAY CABLE COMPLETE	007130	1387123
21	HEXAGON BOLT M12 X 90 DIN 931		700312
22	REINFORCEMENT PLATE		581699
23	WASHER 19.2 X 34 X 3 DIN 125		370693
24	JOCKEY WHEEL CLAMP KIT COMPLETE :- PRESSED STEEL CLAMP (ILLUSTRATED) CAST CLAMP (NOT ILLUSTRATED)	007619 007620	293020 285750

161S Delta Overrun Assembly with Spring Cylinder Handbrake

REF	DESCRIPTION	GROVE PT NO	AL-KO PT NO
1	COUPLING HEAD (50MM)		QUOTE MODEL DETAILS
2	DAMPER	007600	370556
3	HEXAGON NUT M12 DIN 985 - 10 A3C		702750
4	GAITER	007601	366356
5	BUMP RUBBER		371372
6	HEXAGON NUT M12 DIN 985 - 10 A3C		702750
7	FRONT BEARING BUSH (NOT REAMED)	007606	1210131
8	SPACER		370559
9	HEXAGON BOLT M12 X 70		7000061
10	HOUSING COMPLETE WITH BEARINGS		QUOTE PART NO. & ETI NO.
11	OVERRUN SHAFT		571873
12	REAR BEARING BUSH (NOT REAMED)	007606	121031
13	HEXAGON NUT M12 DIN 985 - 10 A3C		702750
14	GREASE NIPPLE AM 8 X 1	007608	2171710001
15	OVERRUN LEVER WITH LINK AND GREASE NIPPLE (ITEM 16):- LEVER STAMPED 27 LEVER STAMPED 30		380310 380468
16	GREASE NIPPLE AM 6 (INCLUDED IN ITEM 15)		700203
17	BURST RING	007604	366900
18	HANDBRAKE PIVOT BOLT	007609	2077710503
19	HANDBRAKE ASSY (INCLUDES BURST RING ITEM 17 & BREAKAWAY CABLE ITEM 20)	007610	354259
20	BREAKAWAY CABLE REPLACES ALL PREVIOUS CABLES	007130	1387123
21	HEXAGON BOLT M12 X 90 DIN 931		700312
22	REINFORCEMENT PLATE		581699
23	WASHER 17.2 X 30 X 3 DIN 125		700312
24	SPACER		358470
25	CLEVIS PIN 10 X 25 DIN 125		702121
26	CLEVIS PIN		2076810609
27	TENSION BAR		2170110608
28	SPRING CYLINDER	007634	2075020601
29	SPLIT PIN 4 X 20 DIN 94	007616	700192 700139
30	WASHER 10.5 DIN 94		700139
31	FORK END	007633	2073890606
32	SPLIT PIN 3.2 X 20 DIN 94	007616	700191
33	JOCKEY WHEEL CLAMP KIT COMPLETE :- PRESSED STEEL CLAMP (ILLUSTRATED) CAST CLAMP (NOT ILLUSTRATED)	007619 007620	293020 285750



Gaiter
90S/3 delta assembly **007638**



Gaiter
for AK350 **007735**



Burst ring
007604



Front/rear
bearing bush **007606**



Grease nipple
007608



Handbrake pivot bolt
161S delta assembly
cylinder handbrake **007609**



Handbrake pivot bolt
161S delta assembly gas
strut handbrake and
251S assembly **007622**



Breakaway cable
007130



Jockey wheel clamp kit
Pressed steel for
161S & 251S assembly
007619



Jockey wheel clamp kit
Cast clamp for
161S & 251S assembly
007620



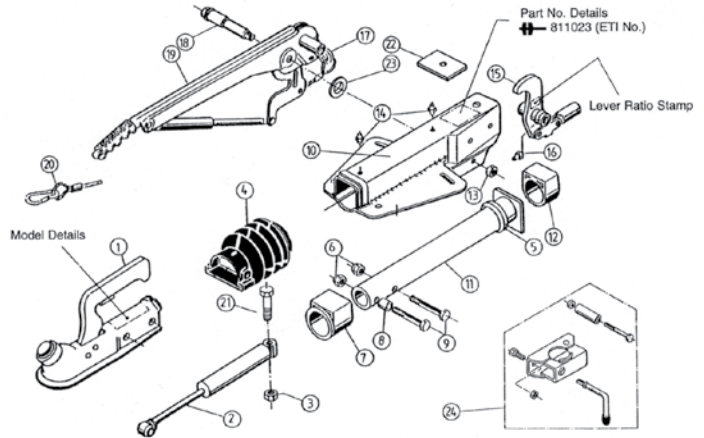
Jockey wheel clamp kit
Pressed steel for
90S/3 assembly **007639**
Handle only **007642**



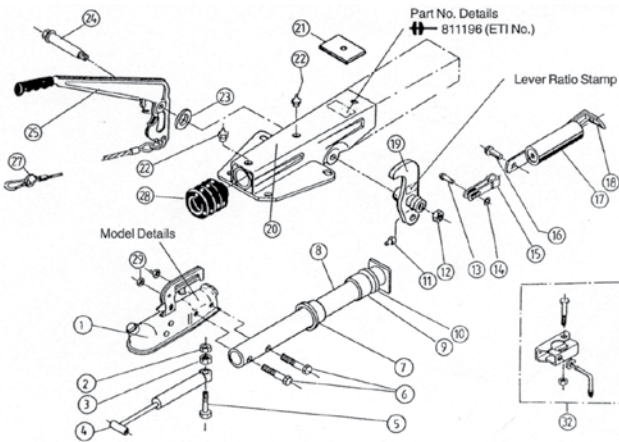
Handbrake assembly
161S gas strut **007623**
161S spring cylinder **007610**
251S **007628**
90S/3 **007637**

251S Delta Overrun Assembly with Gas Strut Handbrake

REF	DESCRIPTION	GROVE PT NO	AL-KO PT NO
1	COUPLING HEAD (50MM)		QUOTE MODEL DETAILS
2	DAMPER	007625	370589
3	HEXAGON NUT M12 DIN 985 - 10 A3C		702750
4	GAITER	007601	366356
5	BUMP RUBBER		371372
6	HEXAGON NUT M12 DIN 985 - 10 A3C		702750
7	FRONT BEARING BUSH (NOT REAMED)	007606	1210131
8	SPACER		357242
9	HEXAGON BOLT M12 X 75		701249
10	HOUSING COMPLETE WITH BEARINGS		QUOTE PART NO.& ETI NO.
11	OVERRUN SHAFT		571874
12	REAR BEARING BUSH (NOT REAMED)	007606	1210131
13	HEXAGON NUT M12 DIN 985 - 10 A3C		702750
14	GREASE NIPPLE AM 8 X 1	007608	2171710001
15	OVERRUN LEVER WITH LINK AND GREASE NIPPLE (ITEM 16):- LEVER STAMPED 27 LEVER STAMPED 30 UNIVERSAL OVERRUN LEVER 90 : X X =27 X =30 X =33.5		380265 380286 380525 380526 380527
16	GREASE NIPPLE AM 6 (INCLUDED IN ITEM 15)		700203
18	HANDBRAKE PIVOT BOLT	007622	581145
19	HANDBRAKE ASSY (INCLUDES BURST RING ITEM 17 & BREAKAWAY CABLE	007628	220098
20	BREAKAWAY CABLE (REPLACES ALL PREVIOUS CABLES)	007130	1387123
21	HEXAGON BOLT M12 X 90 DIN 931		700312
22	REINFORCEMENT PLATE		581699
23	WASHER 19.2 X 34 X 3 DIN 125		370693
24	JOCKEY WHEEL CLAMP KIT COMPLETE :- PRESSED STEEL CLAMP (ILLUSTRATED) CAST CLAMP (NOT ILLUSTRATED)	007619 007620	293020 285750



90 S/3 Overrun Assembly Delta & Square Type with Spring Cylinder Handbrake



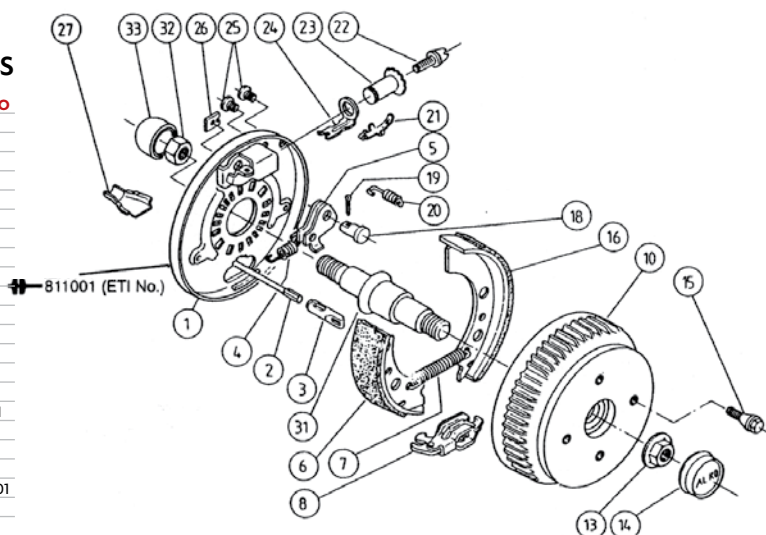
REF	DESCRIPTION	GROVE PT NO	AL-KO PT NO
1	COUPLING HEAD		QUOTE PART NO. & PART NO.
2	HEXAGON NUT M10 DIN 6925 - 8		375724
3	HEXAGON NUT M10 DIN 934		700109
4	DAMPER	007630	359987
5	HEXAGON BOLT		370875
6	HEXAGON BOLT M12 X 55 DIN 931		700281
7	FRONT BEARING BUSH (NOT REAMED)		625601
8	DRAWSHAFT	007627	625626
9	REAR BEARING BUSH (NOT REAMED)		625602
10	BUMP RUBBER	007629	2072410207
11	GREASE NIPPLE AM 6 DIN 71412 (INCLUDED IN ITEM 19)		700203
12	HEXAGON NUT M12 DIN 6925-8	007631	700123
13	CLEVIS PIN 10 X 25 DIN 660		702121
14	WASHER 10.5 DIN 125		700139
15	FORK END	007633	2073890606REF
16	CLEVIS PIN 12 X 14 DIN 660		701935
17	SPRING CYLINDER	007634	2075020601
18	TENSION BAR	007635	2076830608
19	OVERRUN LEVER (INCLUDES ITEMS 11, 13 AND 15)		354238
20	HOUSING COMPLETE WITH BEARINGS		QUOTE PART NO. & ETI NO.
21	REINFORCEMENT PLATE		625627
22	GREASE NIPPLE AM 8 X 1	007608	2171710001
23	WASHER DIN 433		702819
24	HANDBRAKE PIVOT BOLT		625642
25	HANDBRAKE ASSY (INCLUDES ITEMS 16, 18, 27, & BURST RING)	007637	354001
27	BREAKAWAY CABLE	007130	1387123
28	GAITER	007638	2073890210
29	HEXAGON NUT M12 DIN 980		704065
32	JOCKEY WHEEL CLAMP KIT COMPLETE:- PRESSED STEEL CLAMP (ILLUSTRATED) CAST CLAMP (NOT ILLUSTRATED)	007639 007640	205318 295191



Wheelbrake 1637 Euro-Axle Version 1994 onwards

REF	DESCRIPTION	GROVE PT NO	AL-KO PT NO
1	BACKPLATE WELDED LH BACKPLATE WELDED RH *571951		*571950
2	DETACHABLE BOWDEN CABLE OUTER CABLE LENGTH:		
	350 MM		299707
	530 MM		299708
	770 MM		299709
	890 MM	007645	247284
	1020 MM	007646	247285
	1130 MM	007647	247286
	1320 MM	007648	247287
	1430 MM		299714
	1620 MM		299715
	1790 MM		299716
3	CABLE EYE CAST VERSION PRESSED EYE VERSION	007651	371388 604262
4	REVERSE LEVER SPRING LH REVERSE LEVER SPRING RH	007652 007653	21878870001 327805
5	REVERSE LEVER LH REVERSE LEVER RH	007654 007655	384308 384309
6	BRAKE SHOE TRAILING	007660	ECS-BRCMP01
7	PULL-OFF SPRING	007657	2182150003
8	EXPANDING CLUTCH	007658	570666
10	BRAKE DRUM & BEARING UP TO 650 KG:		
	98 X 4/M12 X 1.5		573188
	100 X 4/M12 X 1.5	007659	573189
	101.6 X 4/M10 X 1.5		578822
	112 X 5/M12 X 1.5		573190
13	FLANGE NUT	007662	581200
14	DUST CAP	007663	581197
15	WHEELBOLT: CONICAL M12 X 1.5 SPHERICAL M12 X 1.5	007664	2081670018 2081670020
16	BRAKE SHOE - LEADING		384296
18	BEARING BOLT	007667	368651
19	SPLIT PIN 4 X 20 - DIN 94	007616	700192
20	SHOE RETAINING SPRING	007669	2088800003
21	ADJUSTER ASSEMBLY COMPLETE	007670	387706
22	AS ABOVE		
23	AS ABOVE		
24	AS ABOVE		
25	PLASTIC PLUG 10X13X1	007671	373245
26	COVER PLATE	007672	2382610002
27	BOWDEN CABLE SHELL	007673	371387
31	STUB AXLE		*581563
32	LOCKING NUT		*702881
33	COVER	007676	604472

* NOT AVAILABLE AS SPARE ITEM. PLEASE CONSULT AL-KO SERVICE.



Brakedrum & bearings
Upto 650Kg
1637 **007659**
Upto 650Kg
2051 **007684**



Flange nuts
25mm 2361
007689
20mm 1637/2051
007662

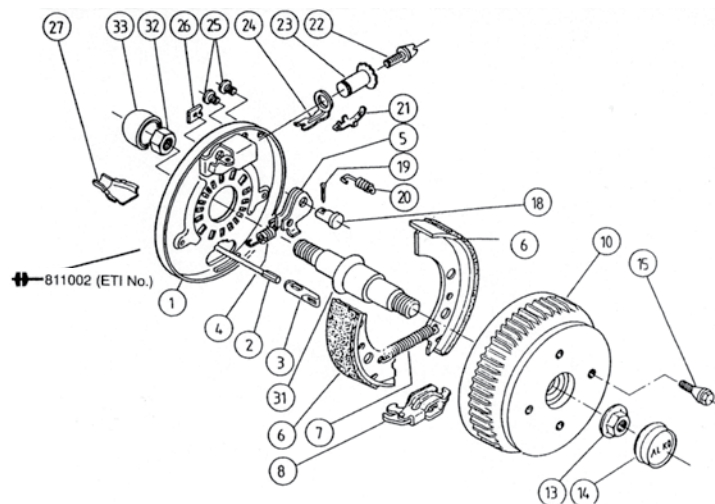


Bowden cable
890mm **007645**
1020mm **007646**
1130mm **007647**
1320mm **007648**

Wheelbrake 2051 Euro-Axle Version 1994 onwards

REF	DESCRIPTION	GROVE PT NO	AL-KO PT NO
1	BACKPLATE WELDED LH UP TO 650 KG BACKPLATE WELDED RH UP TO 750 KG BACKPLATE WELDED RH UP TO 650 KG BACKPLATE WELDED LH UP TO 750 KG		*571376 *586406 *571377 *586407
2	DETACHABLE BOWDEN CABLE OUTER CABLE LENGTH:		
	350 MM		299707
	530 MM		299708
	770 MM		299709
	890 MM	007645	247284
	1020 MM	007646	247285
	1130 MM	007647	247286
	1320 MM	007648	247287
	1430 MM		299714
	1620 MM		299715
	1790 MM		299716
3	CABLE EYE CAST VERSION CABLE EYE PRESSED VERSION	007651	371388 604262
4	REVERSE LEVER SPRING	007677	2187370003
5	REVERSE LEVER LH REVERSE LEVER RH	007678 007679	571386 571387
6	BRAKE SHOE	007683	384294
7	PULL-OFF SPRING	007681	2182000007
8	EXPANDING CLUTCH	007682	571510
10	BRAKE DRUM & BEARING UP TO 650 KG:		
	98 X 4/M12 X 1.5		573191
	100 X 4/M12 X 1.5	007684	573192
	101.6 X 4/M12 X 1.5		610949
	112 X 5/M12 X 1.5		573193
	BRAKE DRUM & BEARING UP TO 750 KG:		
	139.7 X 4/M12 X 1.5		578826
	140 X 5/M14 X 1.5		578825
	112 X 5/M12 X 1.5		586450
13	FLANGE NUT	007662	581200
14	DUST CAP	007663	581197
15	WHEELBOLT CONICAL M12 X 1.5 WHEELBOLT SPHERICAL M12 X 1.5 WHEELBOLT SPHERICAL M14 X 1.5	007664	2081670018 2081670020 2081670002
18	BEARING BOLT	007667	368651
19	SPLIT PIN 4 X 20 - DIN 94	007616	00192
20	SHOE RETAINING SPRING	007669	2088800003
21	ADJUSTER ASSEMBLY COMPLETE	007670	387706
22	AS ABOVE		
23	AS ABOVE		
24	AS ABOVE		
25	PLASTIC PLUG 10X13X11	007671	373245
26	COVER PLATE	007672	2382610002
27	BOWDEN CABLE SHELL	007673	371387
31	STUB AXLE/STABILFORM UP TO 900 KG STABILFORM 900 KG - 1300 KG FORGED S/A 900 KG - 1500 KG		*583563 *581043 *583664
32	LOCKING NUT		*702881
33	COVER	007676	604472

* NOT AVAILABLE AS SPARE ITEM. PLEASE CONSULT AL-KO SERVICE.



Wheelbolt
conical
M12 x 1.5
007664



Cover
1637/2051
007676

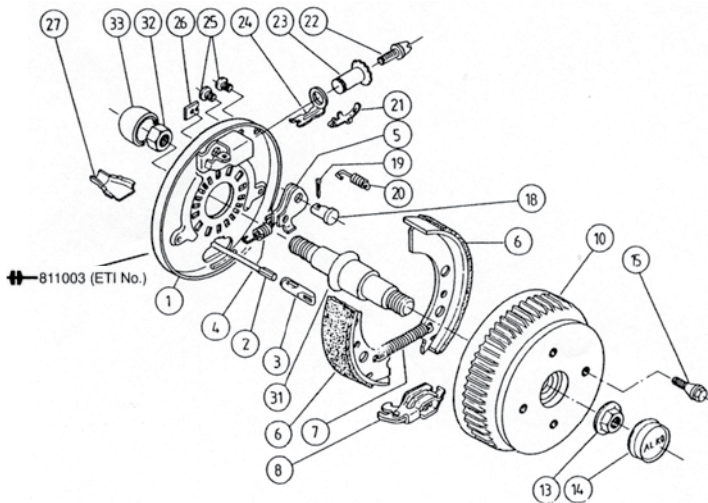


Dust caps
1637/2051
007663
2361
007690



Cover
2361
007693

Wheelbrake 2361 Euro-Axle Version 1994 onwards



REF	DESCRIPTION	GROVE PT NO	AL-KO PT NO
1	BACKPLATE WELDED LH UP TO 650 KG BACKPLATE WELDED RH UP TO 750 KG		*572372 *572373
2	DETACHABLE BOWDEN CABLE OUTER CABLE LENGTH:		
	350 MM		299707
	530 MM		299708
	770 MM		299709
	890 MM	007645	247284
	1020 MM	007646	247285
	1130 MM	007647	247286
	1320 MM	007648	247287
	1430 MM		299714
	1620 MM		299715
	1790 MM		299716
3	CABLE EYE CAST VERSION CABLE EYE PRESSED VERSION		371388 007651
4	REVERSE LEVER SPRING	007677	2187370003
5	REVERSE LEVER LH REVERSE LEVER RH	007678 007679	571386 571387
6	BRAKE SHOE	007687	ECS-BROMPO6
7	PULL-OFF SPRING	007681	2082000007
8	EXPANDING CLUTCH	007682	571510
10	BRAKE DRUM & BEARING:		
	112 X 5/M12 X 1.5		573194
	139.7 X 4/M12 X 1.5		610529
	140 X 5/M12 X 1.5		578834
	165.1 X 5/M16 STUDS		578835
13	FLANGE NUT	007689	582506
14	DUST CAP	007690	582505
15	WHEELBOLT:		
	60° CONICAL M12 X 1.5	007664	2081670018
	R12 SPHERICAL M12 X 1.5		2081670020
	R14 SPHERICAL M14 X 1.5		2081670002
	WHEELNUT:		
	SPHERICAL M16 X 2		F14631002
	80° CONICAL M16 X 2		602439
18	BEARING BOLT	007667	368651
19	SPLIT PIN 4 X 20 - DIN 94	007616	700192
20	SHOE RETAINING SPRING	007669	2088800003
21	ADJUSTER ASSEMBLY COMPLETE	007670	387706
22	AS ABOVE		
23	AS ABOVE		
24	AS ABOVE		
25	PLASTIC PLUG 10X13X11	007671	373245
26	COVER PLATE	007672	2382610002
27	BOWDEN CABLE SHELL	007673	371387
31	STUB AXLE		*582541
32	LOCKING NUT		*703112
33	COVER	007693	582542

* NOT AVAILABLE AS SPARE ITEM. PLEASE CONSULT AL-KO SERVICE.

A	007670	WHEELBRAKE ADJUSTER ASSEMBLY																		
B	007673	BOWDEN CABLE SHELL																		
C	007660	007683	007687	007660	007683	007687	007660	007683	007687	007660	007683	007687	007660	007683	007687	007660	007683	007687		
D	007654	007655	007678	007679	007654	007655	007678	007679	007654	007655	007678	007679	007654	007655	007678	007679	007654	007655	007678	007679
E	007651	CABLE EYE PRESSED																		
F	007658	007682	007658	007682	007658	007682	007658	007682	007658	007682	007658	007682	007658	007682	007658	007682	007658	007682	007658	007682
G	007657	PULL OFF SPRING 1637																		
H	007681	PULL OFF SPRING 2051/2361																		
I	007616	SPLIT PIN																		
J	007672	COVER PLATE																		
K	007669	SHOE RETAINING SPRING																		
L	007652	007653	007652	007653	007652	007653	007652	007653	007652	007653	007652	007653	007652	007653	007652	007653	007652	007653	007652	007653
M	007677	REVERSE LEVER SPRING 2051/2361																		
N	007671	PLASTIC PLUG																		
O	007667	BEARING BOLT																		

